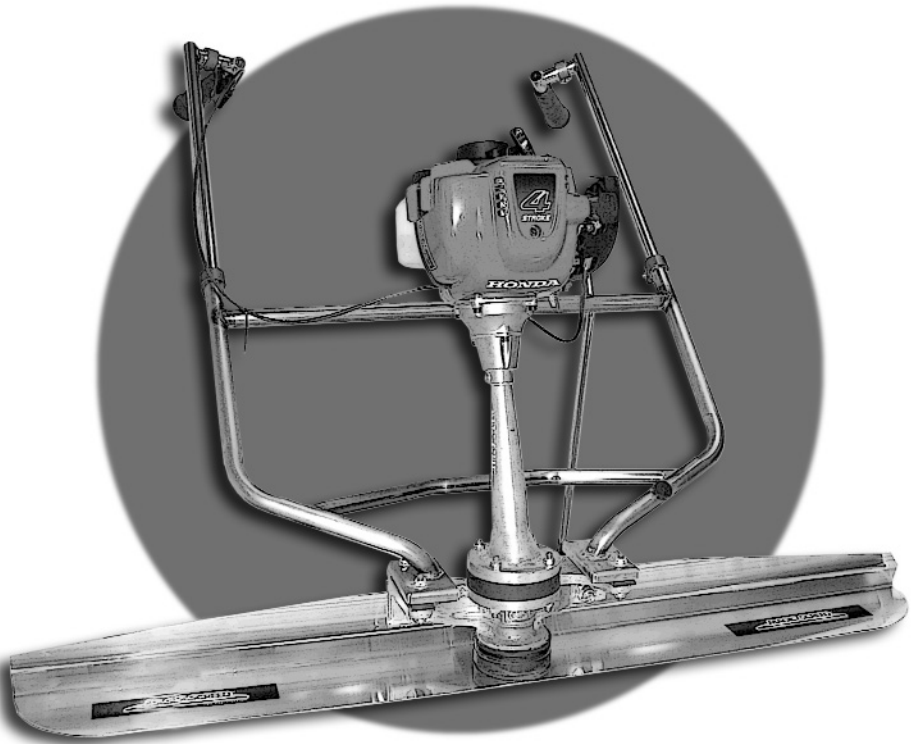


1979  
2019  
40  
YEARS

ISO  
PLAM<sup>®</sup>

concreativity



---

# PARTS BOOK & OWNER'S MANUAL

## MAGIC SCREED PARTS BOOK & OWNER'S MANUAL

Congratulations on your selection of *Magic Screed*.

*Magic Screed* is manufactured for contractors and entrepreneurs in need of a dependable, user friendly, high productivity tool to operate for levelling and smoothing wet concrete. **Any other use of this tool could damage it or even cause injuries or death to the operator and surrounding cowerkers.**

Unfortunately, it is impossible to warn you about all the hazards associated with operating or maintaining a powered screed. **You must use your own good judgement.**

This manual and the *Honda* engine manual supplied with your *Magic Screed* should always remain with the equipment. *Safety* instructions, assembly, maintenance and parts lists are included.

For your own *safety*, and that of your cowerkers, it is required that anyone operating or servicing the screed, read and understand the safety instruction in this manual. **Failure** to do so could result in personal *injury, death or equipments damage.*

### **TABLE OF CONTENTS**

Safety.....	p . . 3
Service, cleaning and operation.....	p . . 4
Assembly & starting procedure.....	p . . 5
Warning logos on your screed .....	p . . 6
Honda engine .....	p . . 6
Magic screed assembly.....	p . . 7
Parts book.....	p . . 8
	p . . 9
Magic screed parts assembly.....	p . 10
	p . 11
	p . 12
	p . 13
Air powered screed.....	p 14
Ec declaration of conformity.....	p 15

## SAFETY

- 1- Read and understand the owner's manual before operating or servicing the screed
- 2- Have a first aid kit available in case someone gets injured
- 3- Wear the appropriate safety gear (according to your local requirement)  
Suggested list of protection gear



Hardhat



protective boots



protective goggles



gloves



hearing protection

- 3- **Carbon monoxide hazard:** Exhaust gas contains poisonous carbon monoxide. Avoid inhalation of exhaust gas. Never run the engine in a closed or confined area without proper ventilation

⚠ WARNING
<p>Carbon monoxide gas is toxic. Breathing it can cause unconsciousness and even kill you.</p> <p>Avoid any areas or actions that expose you to carbon monoxide.</p>



- 4- **Burns from hot parts:** Let the engine and exhaust system cool before touching.
- 5- Do not put your hands on any vibrating or moving parts.
- 6- **Refuelling:** refuel with care. Gasoline is extremely flammable, and gasoline vapor can explode. *Refuel outdoors, in a well-ventilated area, with the engine stopped.* Never smoke near gasoline, and keep flames and sparks away. Always store gasoline in an approved container. If any fuel is spilled, make sure the area is dry before starting the engine.

⚠ WARNING
<p>Gasoline is highly flammable and explosive.</p> <p>You can be burned or seriously injured when handling fuel.</p> <ul style="list-style-type: none"> <li>• Stop the engine and keep heat, sparks, and flame away.</li> <li>• Handle fuel only outdoors.</li> <li>• Wipe up spills immediately.</li> </ul>

**Use unleaded gasoline with a pump octane rating of 86 or higher.**

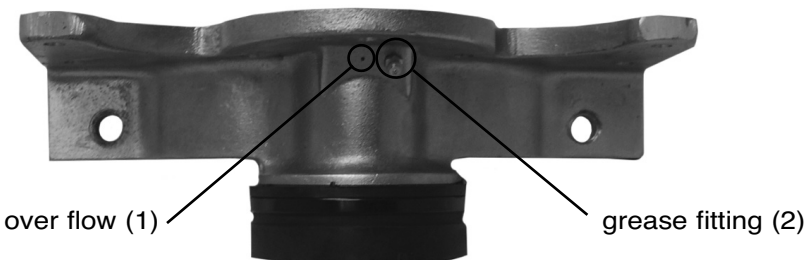
**Transporting:** if the engine has been running, allow it to cool off for at least 15 minutes before loading the screed on a transport vehicle. A hot engine and exhaust system can burn or can ignite some materials.

## SERVICE, CLEANING AND OPERATION

### HONDA ENGINES:

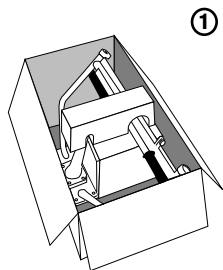
*Refer to your Honda owner's manual.*

1. Before cleaning, servicing or repairing your screed, stop the engine and wait for any moving parts to stop then remove the spark plug cap.  
If the engine has been running, allow it to cool off for at least 15 to 20 minutes before cleaning with water.
2. **Grease:** the housing weight must be greased approximately every ten hours of operation. Do not *over grease*. An over flow **(1)** is located at the opposite side of the grease fitting **(2)** and must be cleaned before each greasing to prevent pressure from being applied by the grease on the bearing. Any such pressure could seize the bearing or damage your housing weight.
3. Your screed should be disassembled frequently for proper cleaning in order to prevent any concrete build-up that could **break or prematurely damage** your equipment. *Warranty does not cover damage or performance problems on your screed resulting from neglected maintenance or cleaning.*
4. Take apart the blade and clean any concrete accumulation.
5. Take apart the housing weight from the handles and clean the concrete underneath the handles and in the housing shaft.
6. Take the rubber cover off and clean any concrete or grease accumulation to allow the counterweight to move freely.
7. Put everything back together making sure that the plastic spacers are between the blade and the housing weight. Tighten the blade following the assembly procedure to 85 to 100 Lb.-Ft. torque it is very important that the plastic spacers are always between the vibrator and the blade.

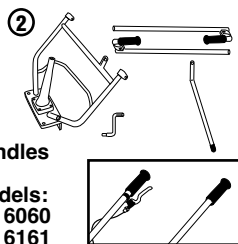
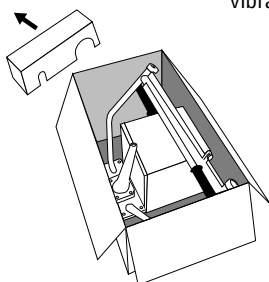


# MAGIC SCREED ASSEMBLY & STARTING PROCEDURE

- 1- Take the protective foam out of the box.



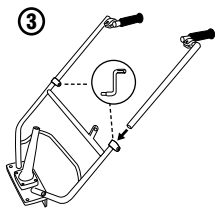
- 2- Remove both adjustable handles and the base handle (assembled with vibrator and housing shaft).



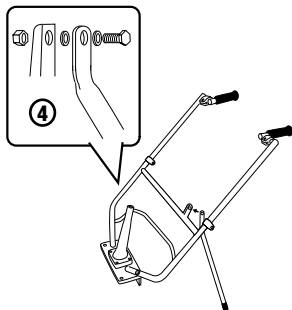
**Handles for models:**  
HD 6060  
HD 6161

- 3- Insert the adjustable handles into the base handle (throttle control on the right side) and tighten the collar. Do not overtighten.

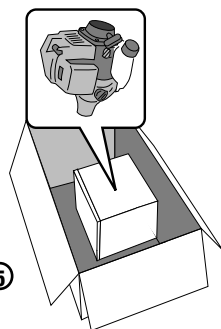
*Note: If ordered with 360° adjustable handles, adjust and tighten to comfort.*



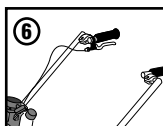
- 4- Stand  
Place the stand with the flat side against the support, ensuring that one of the nylon washers is on each side of the stand (follow the drawing).



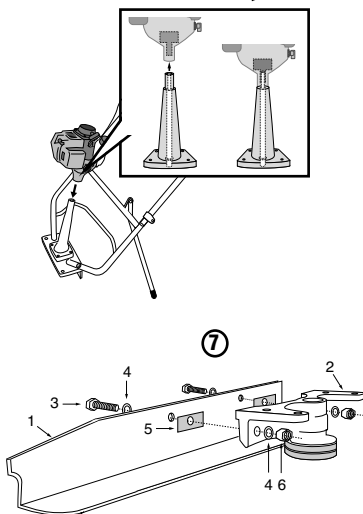
- 5- Assembly of the engine  
Remove the engine from the protective foam. Place the engine on the housing shaft, make sure that the driveshaft is inserted in the clutch adaptor, and tighten. (Do not overtighten) (See drawing).



- 6- Put the rounded end of the throttle cable into the throttle control and adjust so that the rubber handle grip becomes the stopper.



- 7- Assembly of the blade  
Assemble the blade (1) on the screed vibrator (2) in the following order: bolts (3), washers (4), blade (1), plastic spacers (5), washers (4), nuts (6). (See drawing). Tighten all the above at approximately **85 to 100 Lbs. torque**. **It is very important that the plastic spacers are always between the vibrator and the blade.** They are used as a cushion and prevent blade damage. If both are not in place, this could void the warranty. Replacement plastic spacers are available at your Magic Screed dealer.



## Warning logos on your screed

Logo, explanation and label positioning:

1- Description label; left handle

2- Hot label; near exhaust system

MAGIC SCREED 630 RUE DE L'ARGON Québec, (Québec) CANADA, G2N 2J6	MODEL	HD 7070	ENGINE ASSY.
	YEAR	2006	MASS 13.70 KG
	ENGINE	HONDA	RPM 8500
	35CC	GX 35 TMS3	KW 1.1 KW



3- Appropriate safety gear;  
left handle

4- Stop engine before refuelling;  
Gas tank



## Honda

Model HD 6060, HD 6161, HD 7070, HD 7171 with *Honda engine*

Before starting your Honda engine, consult the **Honda owner's manual** supplied with your screed. **Keep this manual handy.**

### Notes:

- The Honda engine on your screed is a 4-cycle engine. It requires unleaded gasoline. Consult your *Honda owner's manual, page 8.*
- The on/off switch is located on the left-hand side, under the carburator of the engine supplied with your screed.
- Warning:** there is no oil in the engine. To check oil level, consult the **Honda owner's manual, page 9.**

**The complete starting procedure is in your Honda owner's manual, pages 4.**

## HONDA ENGINE



on/off switch

## MAGIC SCREED POWER UNITS

- HD 6060 HONDA ENGINE WITH ADJUSTABLE HANDLES ON HEIGHT ONLY
- HD 6161 HONDA ENGINE WITH ADJUSTABLE HANDLES ON HEIGHT ONLY AND EXTRA VIBRO MOUNTS
- HD 7070 HONDA ENGINE WITH ADJUSTABLE HANDLES ON 360°
- HD 7171 HONDA ENGINE WITH ADJUSTABLE HANDLES ON 360° AND EXTRA VIBRO MOUNTS



## BLADES

### FITS ON ALL POWER UNITS

FT	M	#
4'	1.22	2050
6'	1.80	2051
8'	2.44	2052
10'	3.00	2053
12'	3.66	2054
14'	4.27	2055
16'	4.88	2056



\*Other sizes available...

## Table of handling information Weight & length of different components and assembly

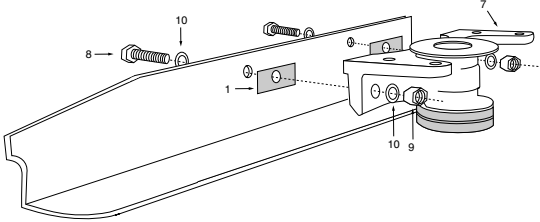
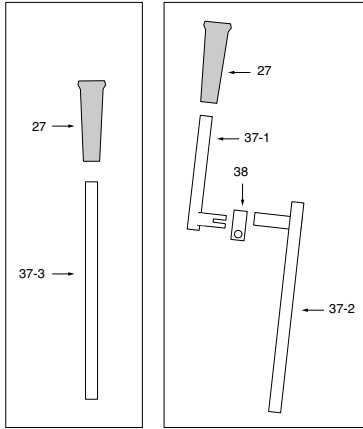
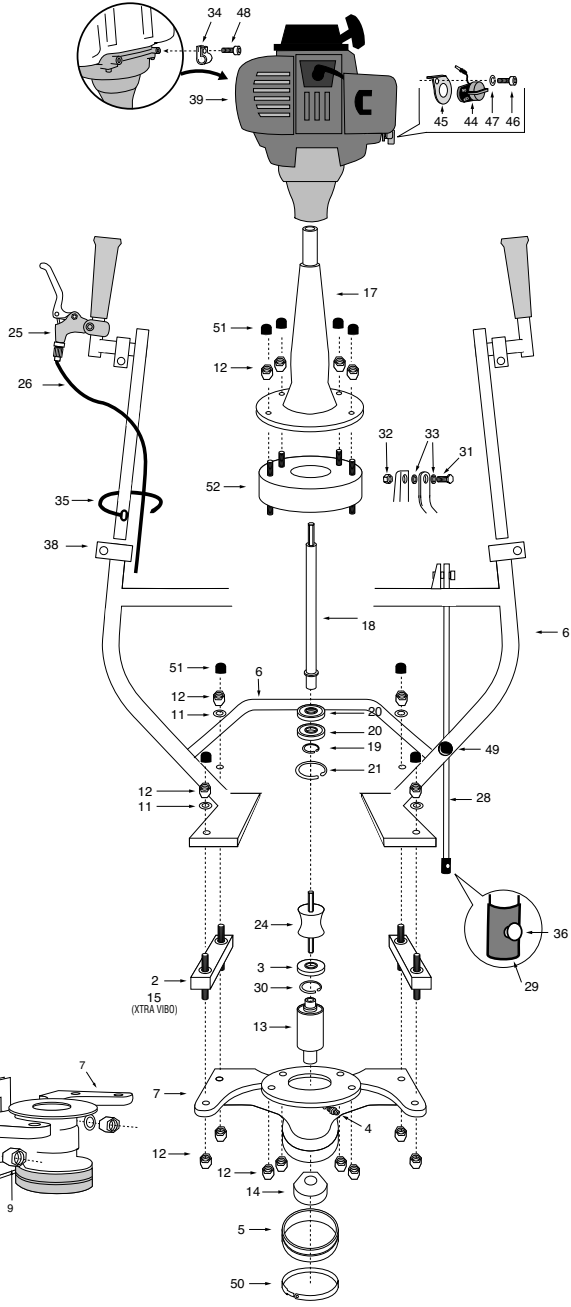
BLADES	2050		2051		2052		2053		2054		2055		2056	
	Feet	Meter	Feet	Meter	Feet	Meter	Feet	Meter	Feet	Meter	Feet	Meter	Feet	Meter
	4	1,22	6	1,8	8	2,44	10	3	12	3,66	14	4,27	16	4,88
WEIGHT	LB	KG	LB	KG	LB	KG	LB	KG	LB	KG	LB	KG	LB	KG
	6.7	3	10.1	4.6	13.4	6.1	16.8	7.63	20.2	9.16	23.5	10.68	26.9	11.77

MAGIC SCREED PARTS BOOK 2004 - **HONDA**

DESCRIPTION	MODEL HD 6060		MODEL HD 6161		MODEL HD 7070		MODEL HD 7171	
	QTY		QTY		QTY		QTY	
1 PLASTIC SPACER	2	10002	2	10002	2	10002	2	10002
2 VIBRO MOUNT	2	10003			2	10003		
3 SEAL	1	10005	1	10005	1	10005	1	10005
4 GREASE FITTING	1	10008	1	10008	1	10008	1	10008
5 RUBBER COVER	1	10009-2		10009-2		10009-2		10009-2
6 HANDLES	1	50004	1	50004	1	50004	1	50004
6 HANDLE HOLD STYLE	1	10011-2	1	10011-2	1	10011-2	1	10011-2
7 HOUSING WEIGHT	1	50003	1	50003	1	50003	1	50003
8 BOLT 1/2	2	100172	2	10017	2	10017	2	10017
9 NUT 1/2	2	10018	2	10018	2	10018	2	10018
10 WASHER 1/2	4	10019	4	10019	4	10019	4	10019
11 WASHER 8MM	4	10023	4	10023	4	10023	4	10023
12 NUT 8MM	16	10024	16	10024	16	10024	16	10024
13 SHAFT ASSY	1	10026	1	10026	1	10026	1	10026
14 COUNTER WEIGHT	1	10027	1	10027	1	10027	1	10027
15 XTRA VIBRO MOUNT			2	11003			2	11003
17 HOUSING SHAFT	1	50001	1	50001	1	50001	1	50001
18 DRIVE SHAFT	1	20003-5050	1	20003-5050	1	20003-5050	1	20003-5050
19 CIRCLIP 13MM	1	20004	1	20004	1	20004	1	20004
20 BEARING	2	20005	2	20005	2	20005	2	20005
21 CIRCLIP 29MM	1	20006	1	20006	1	20006	1	20006
24 DRIVE AXLE	1	20009	1	20009	1	20009	1	20009
25 THROTTLE CONTROL	1	20010	1	20010	1	20010	1	20010
26 THROTTLE CABLE	1	20011	1	20011	1	20011-L	1	20011-L
27 GRIP	2	20012	2	20012	2	20012	2	20012
28 STAND	1	20013-1	1	20013-1	1	20013-1	1	20013-1
29 STAND RUBBER	1	20014	1	20014	1	20014	1	20014
30 CIRCLIP 1 1/2	1	20016	1	20016	1	20016	1	20016
31 BOLT 1/4	1	200171	1	20017	1	20017	1	20017
32 NUT 1/4	1	20018	1	20018	1	20018	1	20018
33 6 MM NYLON FOR STAND	2	20023	2	20023	2	20023	2	20023
34 THROTTLE CABLE CLIP	1	20024	1	20024	1	20024	1	20024
35 TIE RAP	1	20026	1	20026	1	20026	1	20026
36 POP 1/8 FOR STAND RUBBER	1	20027	1	20027	1	20027	1	20027
37 ADJ. HDLSLIP ON SECTION	20032-1▲					OLD STYLE ■		OLD STYLE ■
37-1 ADJ. HDL GRIP SECTION					2	20032-2	2	20032-2
37-2 ADJ. HDL LONG SECTION					2	20032-3	2	20032-3
37-3 TOP SECTION HANDLES	2	20032-4	2	20032-4				
38 CLIP FOR HANDLES	2	20033	2	20033	4	20033	4	20033
39 HONDA ENG. GX 35 TSM3	1	50000	1	50000	1	50000	1	50000
44 ON OFF SWITCH HONDA	1	40005	1	40005	1	40005	1	40005
45 SWITCH BRACKET HONDA	1	40006	1	40006	1	40006	1	40006
46 BOLT FOR 40006	1	40007	1	40007	1	40007	1	40007
47 LOCK FOR 40008	1	40008	1	40008	1	40008	1	40008
48 BOLT FOR 20024 HONDA	1	40010	1	40010	1	40010	1	40010
49 STAND BUMPER	1	20035	1	20035	1	20035	1	20035
50 TIE RAP	1	20040	1	20040	1	20040	1	20040
51 CAP FOR 50002	8	50005	8	50005	8	50005	8	50005
52 ANTI VIBRATION SEAL	1	50002	1	50002	1	50002	1	50002



# HONDA



**MAGIC SCREED PARTS ASSEMBLY**

**DA 4050 THROTTLE CABLE ASSEMBLY STANDARD**

PART NUMBER	QTY	DESCRIPTION
20011	1	THROTTLE CABLE
20010	1	THROTTLE CONTROL
20026	1	TIE RAP



**DA 4051 THROTTLE CABLE ASSEMBLY LONG**

PART NUMBER	QTY	DESCRIPTION
20011-L	1	THROTTLE CABLE LONG
20010	1	THROTTLE CONTROL
20026	1	TIE RAP



**DA 4055 RUBBER COVER ASSEMBLY**

PART NUMBER	QTY	DESCRIPTION
10009-2	1	RUBBER COVER
20040	1	TIE RAP



**DA 4057 GRIP ASSEMBLY**

PART NUMBER	QTY	DESCRIPTION
20012	1	GRIP SET OF 2



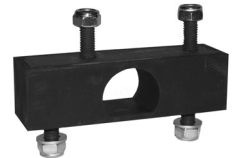
**DA 4059 VIBRO MOUNTS**

PART NUMBER	QTY	DESCRIPTION
10003	2	VIBRO MOUNTS
10024	8	NUT 8 MM
10023	4	WASHER 8 MM



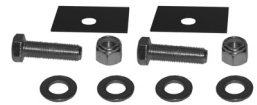
**DA 4059-X X-TRA VIBRO MOUNTS**

PART NUMBER	QTY	DESCRIPTION
11003	2	X-TRA VIBRO MOUNTS
10024	8	NUT 8 MM
10023	4	WASHER 8 MM



**DA 4061 BOLT & NUT 1/2**

PART NUMBER	QTY	DESCRIPTION
10018	2	NUT 1/2
10017	2	BOLT 1/2
10019	4	WASHER 1/2
10002	2	PLASTIC SPACER



**DA 4064 BEARING FOR DRIVE SHAFT**

PART NUMBER	QTY	DESCRIPTION
20005	2	BEARING
20004	1	CIRCLIP 13 MM
20006	1	CIRCLIP 29 MM



#### DA 4067 BEARING FOR HOUSING WEIGHT

PART NUMBER	QTY	DESCRIPTION
10026	1	SHAFT ASSY
20016	1	SNAP RING 38 MM
10005	1	SEAL
10008	1	GREASE FITTING



#### DA 4070 SECONDARY LIFTING HANDLE (HD 4040 HD 5050)

PART NUMBER	QTY	DESCRIPTION
20036	1	SECONDARY LIFTING HANDLE



#### DA 4073 ENGINE ADAPTOR GX 31

PART NUMBER	QTY	DESCRIPTION
40001	1	ENGINE ADAPTOR GX 31
40003	1	SNAP RING
40002	1	BOLT FOR 40001
40004	1	LOCK FOT 40002



#### DA 4077 DRIVE AXLE

PART NUMBER	QTY	DESCRIPTION
20009	1	DRIVE AXLE



#### DA 4080 DRIVE SHAFT ASSEMBLY HONDA

PART NUMBER	QTY	DESCRIPTION
20003-5050	1	DRIVE SHAFT HONDA
20005	2	BEARING
20006	1	SNAP RING 29 MM
20004	1	SNAP RING 13 MM



#### DA 4081 DRIVE SHAFT ASSEMBLY ROBIN

PART NUMBER	QTY	DESCRIPTION
20003-2020	1	DRIVE SHAFT ROBIN
20005	2	BEARING
20006	1	SNAP RING 29 MM
20004	1	SNAP RING 13 MM



#### DA 4082 DRIVE SHAFT ASSEMBLY HONDA XTRA VIBO HD 5151 HD 4141

PART NUMBER	QTY	DESCRIPTION
21003-5151	1	DRIVE SHAFT HONDA XTRA VIBO
20005	2	BEARING
20006	1	SNAP RING 29 MM
20004	1	SNAP RING 13 MM



### DA 4088 STAND ASSEMBLY

PART NUMBER	QTY	DESCRIPTION
20013-1	1	STAND
20018	1	NYLON NUT 1/4
20023	2	NYLON WASHER 1/4
20017	1	BOLT 1/4
20014	1	STAND RUBBER
20027	1	RIVET
20035	1	STAND BUMPER



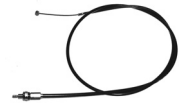
### DA 4090 THROTTLE CABLE FOR ADJ. HANDLE

PART NUMBER	QTY	DESCRIPTION
20011-L	1	THROTTLE CABLE LONG W./ ADJUSTMENT



### DA 4091 THROTTLE CABLE SHORT

PART NUMBER	QTY	DESCRIPTION
20011	1	THROTTLE CABLE W./ ADJUSTMENT



### DA 4095 THROTTLE CABLE FOR ADJ. HANDLE BAG OF 10

PART NUMBER	QTY	DESCRIPTION
20011-L	10	THROTTLE CABLE LONG W./ ADJUSTMENT



### DA 4096 THROTTLE CABLE SHORT BAG OF 10

PART NUMBER	QTY	DESCRIPTION
20011	10	THROTTLE CABLE W./ ADJUSTMENT



### DA 4097 ALLEN 6 MM 5 MM

PART NUMBER	QTY	DESCRIPTION
10056	1	ALLEN 6 MM 5 MM



### DA 4098 TIE RAP FOR 10009-2

PART NUMBER	QTY	DESCRIPTION
20040	10	TIE RAP



### DA 4099

PART NUMBER	QTY	DESCRIPTION
20026	10	TIE RAP FOR HANDLES



### DA 4100

PART NUMBER	QTY	DESCRIPTION
50002	1	ANTI VIBRATION SEAL
10024	8	NUT 8 MM



### DA 4101

PART NUMBER	QTY	DESCRIPTION
50005	8	CAP FOR 8 MM NUT



### DA 4102 HOUSING WEIGHT ASSEMBLY

PART NUMBER	QTY	DESCRIPTION
10002	2	PLASTIC SPACER
10005	1	SEAL
10008	1	GREASE FITTING
10009-2	1	RUBBER COVER
10017	2	BOLT 1/2 NF X 1" 3/4
10018	2	NUT 1/2 NF
10019	4	WASHER 1/2
10026	1	SHAFT ASSEMBLY
10027	1	COUNTER WEIGHT
20016	1	CIRCLIP 38 MM
20040	1	TIE RAP HOUSING WEIGHT
50003	1	HOUSING WEIGHT



### DA 4103 HOUSING SHAFT ASSEMBLY

PART NUMBER	QTY	DESCRIPTION
20003-5050	1	DRIVE SHAFT FOR HD-5050
20004	1	CIRCLIP 13 MM
20005	2	BEARING
20006	1	CIRCLIP 29 MM
50001	1	HOUSING SHAFT



### DA 4104 BOLT AND LOCK 5/16

PART NUMBER	QTY	DESCRIPTION
20007	4	BOLT 5/16
20008	4	LOCK WASHER 5/16



## AIR SCREED PARTS

---

RR-1015	VIBRATOR ASSEMBLY
RR-1016	VIBRATOR REDUCING FITTING
RR-1018	HANDLE BOLT & NUT
RR-1019	TEE CONNECTOR FITTING
RR-1020	AIR HANDLE MAIN SECTION
RR-1020-1	AIR HANDLE ASSEMBLY
RR-1021	AIR VALVE ASSEMBLY
20012	RUBBER HANDLE (SET OF TWO)
RR-1023	AIR HANDLE EXTENTION 5 "
RR-1032	HANDLE L.H.
RR-1045	AIR MANIFOLD ASSEMBLY
RR-1070	1/4 HOSE FITTING
RR-1222	PNEUMATIC HOSE 3/8 (BY THE FEET)
RR-1222-M	PNEUMATIC HOSE 3/8 (BY METER)
RR-1072	BOLT 1/2 NF X 2 1/2 (USE 10018 & 10019)
RR-1073	1/4 PLUG

## AIR POWERED SCREED

---

M	FT	#	BLADES	VIBRATOR
1.22	4'	R3	1011	2
1.80	6'	R2-6	1009	2
2.44	8'	R2	1010	3
3.00	10'	R4	1012	4
3.66	12'	R5	1013	5

**\* Must use a 25 cfm air compressor at 100 psi**

